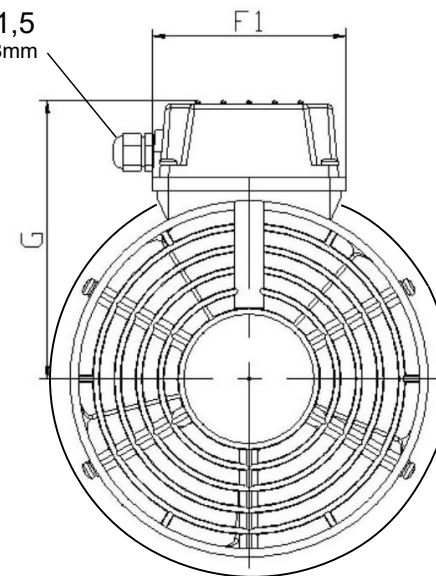


M16x1,5
Klemmbereich 4-8mm



A	B	C	D	E	E1	F	F1	G	m[kg]
360	35	151	395	10	17	105	105	210	20,85

CE	IP66	CLASS:F				TYPE:FBC200			No:					
	S1													
50Hz								60Hz						
	U[V]	I[A] max	P[W] max	n[min^{-1}] max	p[Pa]	LpA[dB]	Q[m ³ /h]	U[V]	I[A] max	P[W] max	n[min^{-1}] max	p[Pa]	LpA[dB]	Q[m ³ /h]
μ F 1~I	230-277	0,64	73	1450				220-277	0,57	88	1750			
3-Δ	200-303	0,88	98	1450	65	72	1679	220-332	0,66	117	1750			
3-Y	346-525	0,46	98	1450	65	72	1679	380-575	0,35	117	1750	78	85	2026

Designed by	Checked by	Approved by	Date	Date
				23.05.2018
Y2-200; Y2HE-200; Y2PE200			FBC200	
Fremdbelüftung_FBC200			Edition	Sheet
				1 / 1